

LocoLoc[®]

Swaging Tools

Loos Ends[®]



HC-5010-R

Handswaging Tool Battery-Powered

Operator's Manual

LOOS & CO. INC.
CABLEWARE[®] DIVISION

SPECIFICATIONS

Swages aluminum and copper oval sleeves for 3/32, 1/8, 3/16, 1/4 and 5/16 sizes wire rope.

CRIMPING TOOL

Output: 6 ton
Weight: 8.75 lbs. with battery
Size: 22"L

BATTERY CARTRIDGE (BP-80)

Battery Type: Lithium Ion
Voltage: 14.4V DC
Rated current: 3 Ah
Charge time: 1 hour
Dimensions: 3.5"L x 2.7"W x 5.3"H
Weight: 1.25 Lbs.

BATTERY CHARGER (CH-90)

Input Voltage: 120V AC
Charging Capacity: 20VA
Dimensions: 4.25"L x 3.5"W x 3"H
Weight: 1.5 lbs.

BATTERY-POWERED COMPRESSION TOOL

- Operates in Confined Underground Spaces
- 6 Ton Output
- Accepts "W" Type Dies
- One Hand Operation
- Fully-Enclosed Weather-Resistant Housing
- LED Work Lights

STANDARD ACCESSORIES

- 1 Carrying Case
- 1 Battery Charger
- 2 TBP-80 Lithium Ion Batteries
- 1 Carrying Strap



BATTERY CARTRIDGE



BATTERY CHARGER



CARRYING CASE

OPERATING INSTRUCTIONS

1. CHARGING THE BATTERY

1. Insert the plug end into 120V power source. The LED indicator will be steady green indicating the charger is now in “stand-by” mode and ready to charge the battery. Do not plug the charger into a generator as this will likely cause the fuse in the charger to short, and will not operate.
2. To charge a drained battery, insert the battery into the charger until the LED indicator shows a steady amber. This indicates the battery is being charged and will be completed in approximately 50-70 minutes. The LED indicator will show a flashing green (90%) - Steady Green (100%).
3. If the indicator shows a flashing amber LED light when the battery is inserted, the battery is too hot to be charged and must be cooled to room temperature before charging. Do not leave the battery in the charger to cool as the charger will not recognize the battery is inserted and will not charge.
4. If the LED indicator goes out or is flashing quick amber, this could be a possible short in the battery circuit, or a problem with the charger itself. It is best to consult the factory for service if such a condition occurs.



ATTACHING THE BATTERY CARTRIDGE

1. While pressing the latch, pull out the battery cartridge. To replace the battery cartridge, push the new cartridge firmly into place.
2. After inserting a battery cartridge, check that it is securely in place by pulling gently. Do not press the latch when pulling the cartridge.



TRIGGER AND RELEASE BUTTON

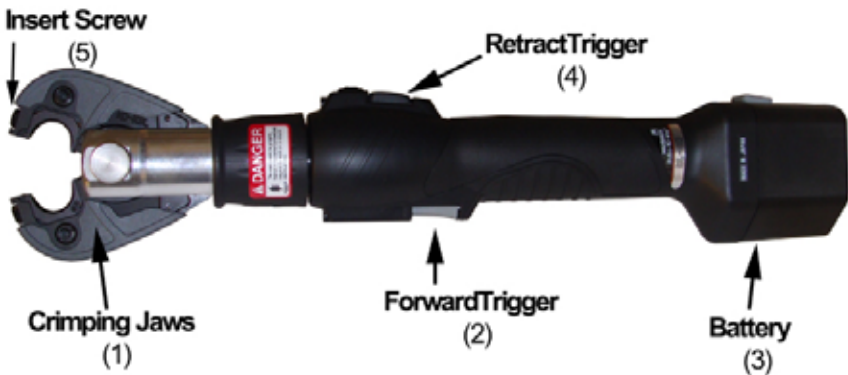
1. The ram advances when the trigger is pressed and stops when the trigger is released.
2. To retract the ram, push the release button. The ram continues to retract while the release button is pressed.

Ensure that you have read and understand the safety instructions included in this manual before you operate the tool.

Check whether the tool is damaged. Before using the tool, always carefully check that parts are functioning correctly.

Check that moving parts do not become stuck and are not damaged.

DO NOT use the tool if damaged or defective parts are detected. Damaged or defective parts must be repaired by a qualified technician.



Operation Components

Slide the battery into the handle until you hear a click.

Before using the tool, check that the moveable piston is in its rest position (fully retracted, by actuating the retract trigger).

“Loos” battery-driven, handheld, open jaw swaging tool has a powerful 6 Ton output which will crimp the 3/32, 1/8, 3/16, 1/4 and 5/16 inch copper and aluminum oval sleeves on to the corresponding sizes of wire rope.

The tool utilizes interchangeable dies that are manufactured by Loos & Co to fit 3/32, 1/8, 3/16, 1/4 and 5/16 aluminum and copper oval sleeves. These dies are sold in pairs. One pair for each size sleeve. The 3/32 and 1/8 sleeves require only one crimp, or one cycle of the tool. The 3/16 sleeves require two crimps, or two complete cycles of the tool. The 1/4 sleeves require four crimps, or four complete cycles of the tool. The 5/16 copper sleeves require four crimps or four complete cycles of the tool. The 5/16 aluminum sleeves requires five crimps or five complete cycles of the tool.

REPLACEABLE DIES

(Sold Separately)



INSERT DIE SET

Activate the retract trigger (4) to open jaws of tool.

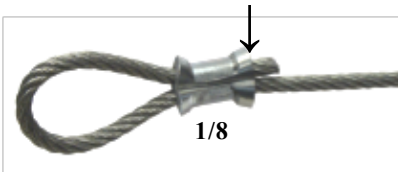
Select proper die to be used (either 3/32, 1/8, 3/16, 1/4, 5/16) and slide both pieces of the die set into jaws of the tool by unscrewing the insert screw (5) on slide of jaw, then slide die into place and retighten.



Place the cable sleeve to be crimped between the 2 dies. Press on the forward trigger to crimp the sleeve onto the cable. An audible click advises when the swage (crimp) is completed.

Open the jaws of the tool by pressing the retract trigger (4) you may now crimp another sleeve or you may start another crimp cycle of the tool (for the larger 3/16, 1/4 and 5/16 sleeves).





Finished sleeve should look like this. Be sure sleeves have been compressed the proper number of times. (See NUMBER OF COMPRESSIONS Figure 1)



Use the swaging gauge provided with the tool to check proper after swage diameter of sleeve. Compressed sleeve should slide into size slot in gauge.

Sleeves elongate after compression. To assure maximum holding allow the end of the cable to extend beyond the sleeve after it is compressed.

The following chart indicates to number of compressions for each size sleeve to obtain maximum holding strength. The powerful 6 ton tool requires only one compression for the 3/32 and 1/8 size sleeves.

Select the proper die size for the sleeve to be swaged. Use only 3/32 sleeves with 3/32 die, 1/8 sleeve with 1/8 die and so on. (For lap slices at least two oval sleeves should be used).

| Cable Diameter | Use Die P/N | Number of Compressions | |
|----------------|-------------|------------------------|--------------------|
| | | Aluminum Oval Sleeve | Copper Oval Sleeve |
| 3/32 | DI2-3 | 1 | 1 |
| 1/8 | DI2-4 | 1 | 1 |
| 3/16 | DI2-6 | 2 | 2 |
| 1/4 | DI2-8 | 4 | 4 |
| 5/16 | DI2-10 | 5 | 4 |

Figure 1

IMPORTANT OPERATING PRECAUTIONS

PRECAUTIONS FOR THE TOOL

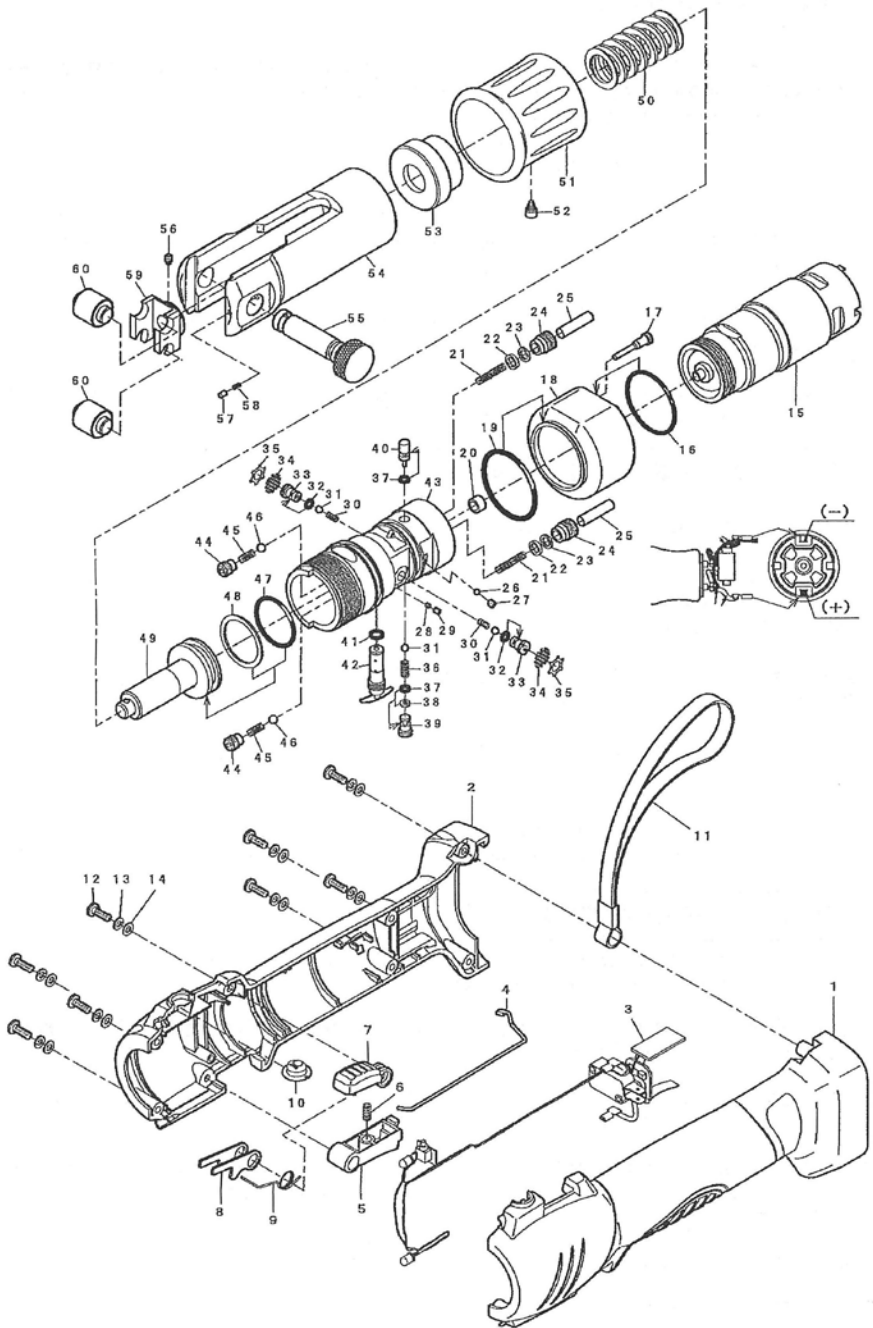
1. Always wear protective eye wear when operating the tool.
2. Select appropriate dies for the connector to be compressed. Incorrect combinations result in inferior connections of the conductors. Consult your connector manufacturer for the recommended die/connector combinations.
3. Always point the tool away from other people.
4. If the tool is stored for an extended period at a temperature of less than 25°F (-5°C), the tool should be allowed to return to room temperature to ensure smooth operation. Use the tool only after it has been at room temperature for 1 hour.
5. Do not drop the tool. Dropping the tool may damage the hydraulic circuit and result in the tool not functioning correctly.
6. Keep the head and ram clean and free of debris. Solvents can be used to clean the head, but should not be used on the plastic body. Use soap and water to clean the body.

PRECAUTIONS FOR THE BATTERY CARTRIDGE

1. Do not short circuit the contacts or expose the cartridge to water, oil or solvents.
2. Do not disassemble or attempt to repair the battery cartridge or dispose of in a fire.
3. Do not drop or otherwise abuse the battery cartridge.
4. Do not leave the cartridge in locations where it will be exposed to a temperature greater than 140°F (60°C) for an extended period.
5. The battery has a limited life. When the crimping capacity becomes about 1/2 that of the original capacity, the battery should be replaced.
6. If the battery cartridge is stored without being charged, natural drainage will cause the power to be reduced. The battery should be charged every 3 months if not in use.

PRECAUTIONS FOR THE CHARGER

1. The LED indicator lights up amber and remains lit when the unit starts charging a battery cartridge.
2. This unit is for charging battery cartridge BP-80. Do not use the charger for any other devices.
3. Allow battery cartridges to cool before charging. Allow at least 15 minutes between charges when charging several cartridges in succession.
4. Charge batteries at an ambient temperature of 50°-95°F (10°-35°C). Charging time is approximately 50-70 minutes for the BP-80.
5. Never short circuit the output terminals.
6. Do not expose the charger to water, oil or solvents.
7. Do not disassemble, attempt to modify, drop or otherwise abuse charger.
8. Place the charger in a well-ventilated area free of foreign objects/matter.
9. Unplug the charger from the outlet before cleaning or changing adapters.



PARTS LISTS

| No. | Description | Code | Qty. | No. | Description | Code | Qty. |
|-----|--------------------------|---------|------|-----|----------------------------|---------|------|
| 1 | Housing (L) | SLND-02 | 1 | 49 | Ram | SLND-16 | 1 |
| 2 | Housing (R) | SLND-03 | 1 | 50 | Ram Spring (443) | SLND-17 | 1 |
| 3 | Switch Unit | SLND-04 | 1 | 51 | Cover | SLND-18 | 1 |
| 4 | Switch Rod | SLND-05 | 1 | 52 | Stopper Screw | SLND-19 | 1 |
| 5 | Switch Knob | SLND-06 | 1 | 53 | Stopper Collar | SLND-20 | 1 |
| 6 | Spring (187) | 40U-10 | 1 | 54 | Body Head | SLND-21 | 1 |
| 7 | Release Lever | SLND-07 | 1 | 55 | Slide Pin | SLND-22 | 1 |
| 8 | Lever Support | SLND-08 | 2 | 56 | M4 X 6 Nylock Screw (D.P.) | RSPD-02 | 1 |
| 9 | Spring (701) | SLND-09 | 1 | 57 | Stopper Pin | 130D-09 | 1 |
| 10 | LED Switch Rubber | SLND-10 | 1 | 58 | Spring (140) | 55A-04 | 1 |
| 11 | Strap | 558-07 | 1 | 59 | Roller Head | SLND-23 | 1 |
| 12 | M4 X 10 Screw | ROB-159 | 8 | 60 | Roller | SLND-24 | 2 |
| 13 | M4 Lock Washer | EZ-37 | 8 | | | | |
| 14 | M4 Flat Washer | EZ-36 | 8 | | | | |
| 15 | Power Unit | SLND-11 | 1 | | | | |
| 16 | S-32 O-Ring | EZ-10 | 1 | | | | |
| 17 | Plug | SLND-12 | 1 | | | | |
| 18 | Oil Reservoir (44) | SLND-13 | 1 | | | | |
| 19 | S-36 O-Ring | EZ-12 | 1 | | | | |
| 20 | Bush | R14A-19 | 1 | | | | |
| 21 | Spring (552) | EZ-16 | 2 | | | | |
| 22 | PS-6 Pent Seal | EZ-14 | 2 | | | | |
| 23 | P-6 Back-Up Ring (B.C.) | UC-28 | 2 | | | | |
| 24 | Cylinder Insert | EZ-13 | 2 | | | | |
| 25 | Pump Piston | EZ-15 | 2 | | | | |
| 26 | 1/8" Ball | 40-20 | 1 | | | | |
| 27 | M4 X 4 Screw (F.P.) | 85-47 | 1 | | | | |
| 28 | Retainer | SLND-14 | 1 | | | | |
| 29 | M3 X 4 Screw (F.P.) | RCP-35 | 1 | | | | |
| 30 | Spring (5688) | EZ-22 | 2 | | | | |
| 31 | 5/32" Ball | 22-21 | 3 | | | | |
| 32 | P-3 O-Ring (U801) | EZ-21 | 2 | | | | |
| 33 | Suction Valve | EZ-20 | 2 | | | | |
| 34 | Filter Screen | R14A-23 | 2 | | | | |
| 35 | SI-12.7 Ring | R14A-23 | 2 | | | | |
| 36 | Spring (689) | EZ-23 | 1 | | | | |
| 37 | P-3 O-Ring (U801) | 16-36 | 2 | | | | |
| 38 | P-3 Back-Up Ring (B.C.) | 9H-38 | 1 | | | | |
| 39 | Release Plug | EZ-24 | 1 | | | | |
| 40 | Release Valve Stem | EZ-17 | 1 | | | | |
| 41 | P-5 O-Ring | 5N-35 | 1 | | | | |
| 42 | Valve Cartridge | EZ-25A | 1 | | | | |
| 43 | Body | SLND-15 | 1 | | | | |
| 44 | Valve Screw | EZ-27 | 2 | | | | |
| 45 | Spring (686) | EZ-26 | 2 | | | | |
| 46 | 3/16" Ball | 16-49 | 2 | | | | |
| 47 | P-28 O-Ring | EZ-29 | 1 | | | | |
| 48 | P-28 Back-Up Ring (B.C.) | 55D-03 | 1 | | | | |

TROUBLESHOOTING GUIDE

| PROBLEM | CAUSE | SOLUTION |
|---|---|--|
| MOTOR RUNS, BUT THE TOOL JAWS WILL NOT ADVANCE | Insufficient Hydraulic Oil | Consult Factory for Repair Service. |
| | Air Block in Hydraulic System | Invert tool to allow air to rise towards the top of the oil bladder. |
| | Defective Hydraulic Circuit | Consult Factory for Repair Service. |
| MOTOR RUNS, TOOL JAWS ADVANCE, BUT WILL NOT BUILD PRESSURE. | Insufficient Hydraulic Oil | Consult Factory for Repair Service. |
| | Defective Suction Valve or Bypass Cartridge | Consult Factory for Repair Service. |
| MOTOR WILL NOT RUN AT ALL | Defective Battery | Charge or Replace Battery |
| | Bad Contact or Loose Battery Connections | Check all Connections and Wires |
| | Misaligned Switch | Check to Make Sure that Switch is Properly Aligned with Trigger. |
| | | Consult Factory for Repair Service. |
| TOOL JAWS WILL NOT RELEASE | Tool Did Not Complete a Full Cycle and Bypass | Press Trigger and allow Tool to Bypass, then Release Tool Jaws. |
| | Connector is Jammed in Tool Jaws. | Press and Hold Release Trigger While Prying Tool Jaws Apart. |
| | Release Trigger is Bent or Misaligned. | Consult Factory for Repair Service. |

WARRANTY

Huskie Tools products carry a warranty that makes us a leader in the tool industry. No other manufacturer dares to back its tools as we do.

All Huskie REC-SERIES battery-operated products carry a 5-year warranty. The ECO-SERIES battery-operated products carry a 1-year warranty. The IL-ND battery-operated products carry a 3-year warranty. The BP-70E, BP-70EI, BP-70MH, and BP-80 batteries carry a 5-year or 1,000 recharge cycles warranty from the date stamped on the battery.

PRODUCT WARRANTY

| | |
|---|---------|
| REC-Series battery-operated products | 5 Years |
| ECO-Series battery-operated products* | 1 Year |
| IL-ND battery-operated products | 3 Years |
| Batteries (BP-70E, BP-70EI**, BP-70MH, BP-80) | 5 Years |
| Chargers (CH-35R, CH-70DCH, CH-90, CH-86) | 5 Years |

*Please call the factory with warranty questions.

**The BP-70EI is no longer available. The LED indicator on the BP-70EI carries a 1-year warranty from purchase date.

The warranty does not cover any damages incurred from a Huskie tool including damages to property, bodily injuries, and lost wages resulting from such injuries. This warranty solely covers the repair or replacement of tools supplied by Huskie. These remedies are exclusive, and the total liability of Huskie Tools, Inc. whether based on contract, warranty, negligence, indemnification, strict liability or otherwise, shall not exceed the purchase price of the tool. In no event shall Huskie Tools, Inc. be liable for consequential, incidental or special damages.

HUSKIE TOOLS, INC. MAKES NO OTHER WARRANTIES OF ANY KIND, EXPRESSED OR IMPLIED, AND ALL IMPLIED WARRANTIES INCLUDING ANY WARRANTY OF MERCHANTABILITY AND FITNESS FOR A PARTICULAR PURPOSE ARE DISCLAIMED.

WARRANTY (CONT.)

Huskie reserves the right to determine all warranty claims. Huskie will not warranty tools containing parts or batteries not originally supplied by Huskie. Failure due to misuse, improper maintenance, misapplication, not following instructions or warnings, abuse or repairs attempted by anyone other than Huskie Tools, Inc. or an authorized service center renders this warranty null and void.

Repair and Warranty Claims

All claims must be sent to Huskie for inspection and authorization. A Return Goods Authorization (RGA) is required before shipping tools to Huskie. Secure the authorization by telephoning or writing to Huskie's main office with details of the claim. Non-warranty repairs are handled using the same procedure. Repairs exceeding 50 percent of the cost of a new tool will be advised before repairs are made.

Payment Terms

Upon credit approval, Huskie's standard payment terms are net-30 days. Visa, Mastercard, Discover, and American Express are also accepted.

Freight

All Huskie Tools are FOB, Glendale Heights, Illinois. Goods will be shipped pre-paid and added, unless otherwise specified. Freight shipments over \$17,000 are pre-paid.

Quotations

Special quantity quotations should be phoned in to discuss the scope of your tool requests.

WARRANTY (CONT.)

Complete Support Services

Our customers have direct access to us for training, service, and problem solving. As specialists in tools, we maintain a trained repair staff and a large stock of parts. This contrasts with many tool suppliers who carry tools as a sideline without offering support services. Here are some reasons why our customers love to do business with us:

- Quick delivery
- We maintain inventory in our headquarters
- Training and troubleshooting services
- Fast repair service
- Design and engineering service for special tools

HOW TO GET SERVICE UNDER THE TERMS OF THE LIMITED WARRANTY

Return your product directly to Huskie Tools, Inc. as our representative network is not prepared to service the product under the terms of this warranty.

1. Write, call, or fax Huskie stating the tool's purchase date and problem. You will be given an RGA # to assure that your merchandise will be properly handled upon its receipt.
2. CAUTION: Make sure the product is packaged adequately so as to prevent damage or loss during transit. The shipment must be prepaid and we recommend that it be insured. A cover letter indicating the reason for the return should be included in order to facilitate repairs.
3. To fill out an RGA online, go to HuskieTools.com and click on "Repairs."



198 N. Brandon Drive, Glendale Heights, IL 60139

Phone: (800) 860-6170 Fax: (800) 345-3767

HuskieTools.com



901 Industrial Blvd • Naples, FL 34104
Tel: (239) 643-LOOS • Fax (239) 643-4558
E-mail: info@loosnaples.com • Website: www.loosnaples.com