

# BOAT HOIST USA

---

## 6k & 8k Aluminum Lift Installation Guide

---



800 259 8715  
[www.boathoistusastore.com](http://www.boathoistusastore.com)



# Boat Hoist USA

Thank you for purchasing a Boat Hoist USA all Aluminum Boat Lift! Boat Hoist USA stands committed to insuring that you are happy and satisfied with your Lift. Please take a moment to review this guide and make yourself familiar with the parts and pieces of your Boat Hoist USA all Aluminum Boat Lift. If you need further help with installations or have any concerns you may reach us at 800-259-8715 Monday — Friday 8:00am-5:00pm Ct. You can also visit our product support center at [www.bh-usa.com](http://www.bh-usa.com) and submit questions that will be answered in detail.

## Aluminum Lift check List:

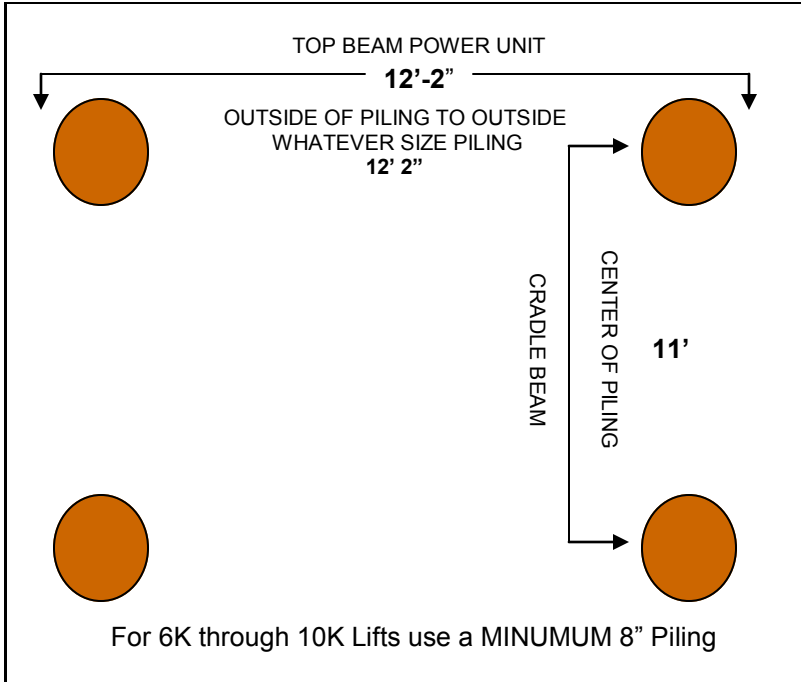
Please check items delivered and report any missing items immediately to Boat Hoist USA. This MUST be done within 2 weeks of delivery to insure proper claim filing.

### QUICK CHECK

- 2 Completely assembled Aluminum Top Beams with drive pipe and cable winders inside. (these will have Boat Hoist USA on the side of each one)
- 2 Aluminum I-Beams with end brackets bolted to beam.
- 2 Boxes marked Motor/ 3/4 hp for 6K and 1 hp for 8 K
- 2 Boxes marked 35/45 GPA Aluminum (these are the gear plates)
- 1 Box marked Covers
- 1 Box marked Cradle Hardware
- 1 Box Marked Lift Hardware & Cable
- 4 PVC with caps for Guide Posts
- 1 Box Marked Guide Post stanchions/ Hardware

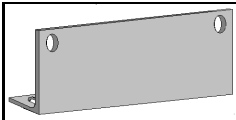
# Top Beam Installation

## Pile Spacing

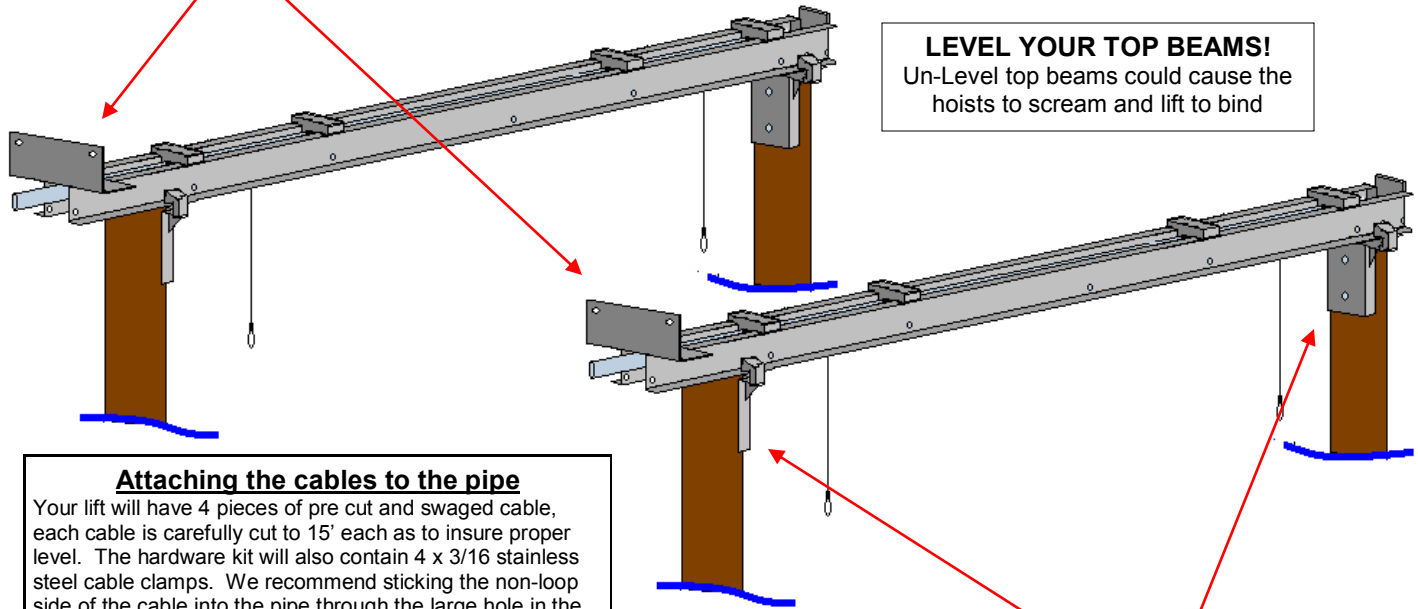


## Cable winders

Your lift will have pre-installed cable winders, note that for shipping purposes these cable winders are not bolted to the pipe. Your hardware pack will include these stainless steel bolts. The stainless steel drive pipe will have pre-drilled holes that should line up. These holes might not line up depending on the installation and in rare cases you might have to drill a hole. The cable winders will have three holes, two smaller ones on each end and a large hole on the end closest to the front. The large hole is where you insert the end of the cable and the smaller holes are for securing the winder to the pipe. We do not recommend doing this until you have already attached the cable because the bolts will get in your way.



Your lift will include 2 aluminum hoist mounting plates. These will mount to the front of the beams, slots down



## LEVEL YOUR TOP BEAMS!

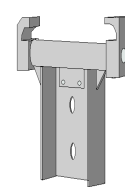
Un-Level top beams could cause the hoists to scream and lift to bind

## Attaching the cables to the pipe

Your lift will have 4 pieces of pre cut and swaged cable, each cable is carefully cut to 15' each as to insure proper level. The hardware kit will also contain 4 x 3/16 stainless steel cable clamps. We recommend sticking the non-loop side of the cable into the pipe through the large hole in the cable winder and feeding it out the end of the pipe. Place 1 cable clamp on the end and pull back through until the cable clamp stops the cable from pulling out of the pipe. Be careful to place each cable clamp at the same place on each end to help the cable remain level. It is also a good idea to measure the cables once they are installed before hanging the cradle as adjustment will be **MUCH** easier.

## Installers Tip

We recommend not attaching the power heads to the top beams until after the top beams are completely installed and the cable is installed. This will make it easier to move or turn the pipe for adjustment.



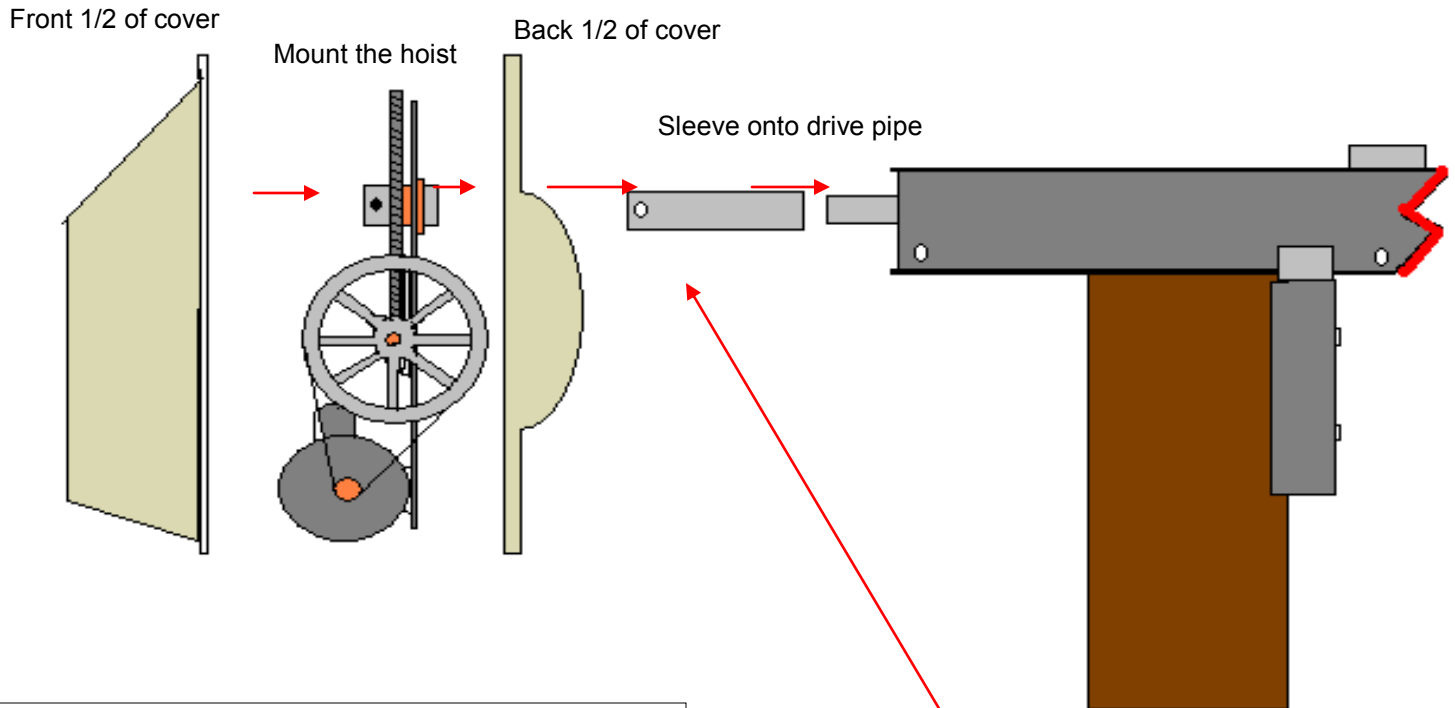
Your lift will include 4 aluminum pile mount brackets, these are to be mounted on the inside of the pilings.

## Installers Tip:

We find it easier to place the top beams on top of the pilings then mount the brackets, that way we know they will be level!

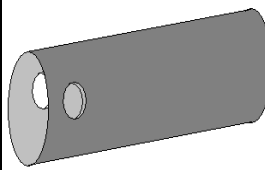
# Power Head Installation

## Mounting the Flat-Plate Hoists to the top beams



### Installers Tip:

It is important that you secure the bottom half of the back cover to the plate using bolts. This will insure that the cover will snap into place. You will also need to notch the cover where you would like the control cable to come out, we suggest the bottom.

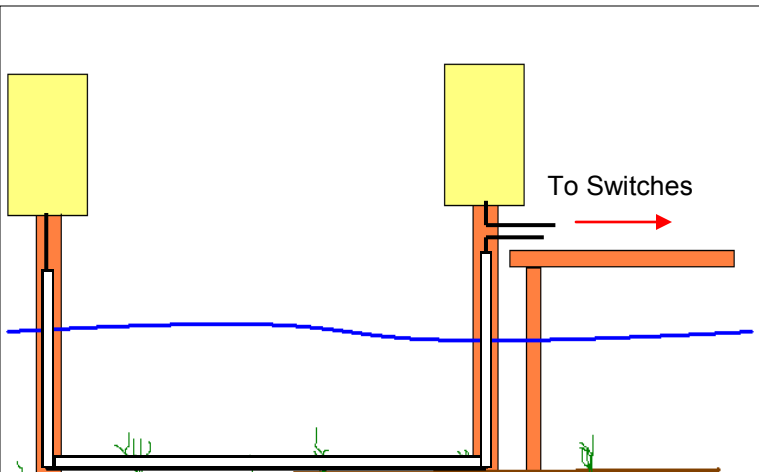


There will be two aluminum spacer sleeves in your hardware box. These sleeves fit over the end of the 1 1/2" drive pipe and slide into the flat-plate hoist sleeve that is designed to accept a 2 3/8" pipe. The only thing holding this sleeve to the pipe will be the bolt that attaches the flat-plate hoist to the drive pipe.

Boat Hoist USA lifts are supplied with two electric motors, one motor will be wired with 16' control and the other with 45' control. Mount the motor with the longer lead on the pole furthest from the dock and run the 14/5 control wire through PVC to the other side of the slip, this will require you to remove the switch. Follow the equipment guide supplied with the motor for re-wire.

### **USE BOTH SWITCHES!**

Always use both drum switches side by side. Do not attempt to wire both motors into one drum switch. You motors will get out of sync and you will have no way of adjusting. The optional GEM remote allows one switch with a leveling options



Be sure to check the wire chart in the motor equipment guide to be sure you have the right gauge wire to supply power to the lift.

### **About Your Warranty**

The Flat-Plate hoists and Electric motors are covered under a different warranty than the lift. Be sure to fill out the motor warranty card and the Gear-Plate warranty card available in the equipment guides supplied with those units. Please review the equipment guides for the hoists and the motors concerning their maintenance and or any issues.

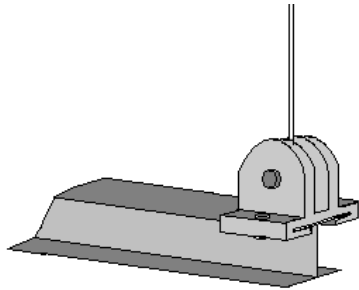


# Aluminum Cradle Installation

## Attaching the cradle beams to the cable

Boat Hoist USA no-weld aluminum Cradles have I-Beam clamps bolted to the ends of each cradle. These can easily be removed so the I beam can be cut to size then re-bolted. For 6K and 8K lifts the I-Beam clamps will not include a sheave, larger lifts include sheaves for compounding.

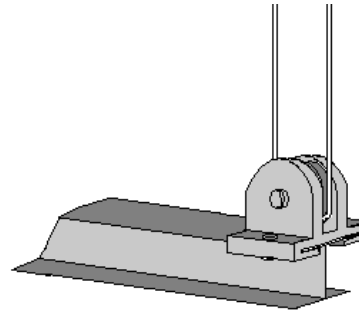
### 6K and 8K Aluminum Lifts



6K and 8K Aluminum Lifts are straight line lifts meaning the cable will end at the cradle beam and not double back to the top-beam. The I-Beam clamp includes a stainless

steel bolt. Remove this bolt and re-insert it through the pre-swaged loop at the end of the included cable

### 10K and larger Aluminum Lifts

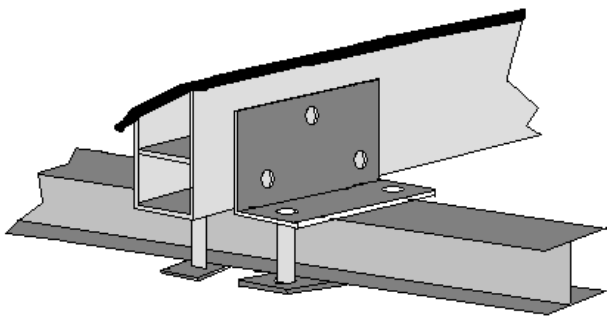


10K and larger lifts are compounded or double lined lifts. The I-Beam clamps will include a sheave for compounding, simply run the included cable around the sheave and straight back to

the dead end lock located inside the top beam.

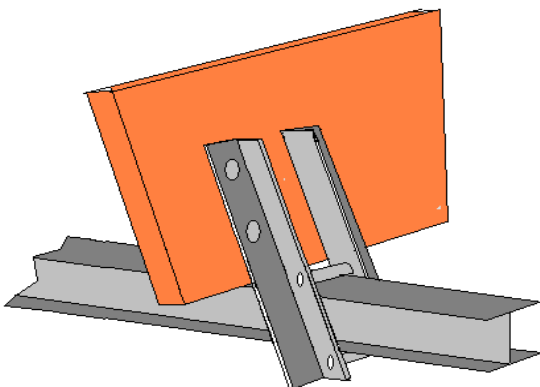
## Attaching Bunks to the Cradle Beams

### Aluminum Bunks



Aluminum bunks are mounted to the I-Beams using 8 pc of 6" x 4" un-even leg angle, each pc will have three holes punched in them. Set the bunk in the desired location flat on the beam and place one angle on each side. Drill through the bunk and through bolt using all three holes. Next attach the bunks to the cradle using the long SS bolts and the flat back up plate. End caps are supplied with the bunks and press in the ends.

### Wood Bunks



Wood bunks are mounted to the beams using 8 Pc of long angle (length of angle depends on Lift) each angle will be a set (right and left) Wood bunks need to be angled into the boat for strength. Boat Hoist USA does not supply the wood for the bunks but recommends using a hard, treated lumber at least 10" and 12' long.

**When lifting your boat on a cradle it is important that no more than 18—20" of the rear of the boat is hanging past the I-Beam . The rear of the boat has the largest percentage of weight, if to much weight is leveraged off the end the lift could possibly fail. The boat must also be centered on the cradle to insure proper weight distribution to the cables.**

1. These instructions have been printed assuming that your pilings have been set to the specifications of the size boatlift that you are installing
2. After the beams have been set, attach the pile brackets down, so they attach along the outside or inside faces of the piles. Brackets are adjustable along the beams. This will allow a lot more tolerance in the placing of the piles.
3. Fasten the beams to the piles, use bolts or lags. If the fasteners are Galvanized, use S.S. Washers under the heads as insulators.
4. Insert the cables into the shafts, and push cable out the nearest end. Cable clamps are provided to act as stops at the end of the cable. These should be a minimum of 4" from the end. It is VERY important that all 4 cables front and rear are the same. You may want to make the two front cables a little shorter to raise the front of the boat for drainage. Pull cable back into shaft until clamp contacts the back of the entry hole.
5. Attach the power units per the diagram on the previous page.
6. To position and install the cradle beams, it is highly advisable to nail a temporary 2 x 4 or 2 x 6 (running for and aft at around dock height) to the boat side of your lift piles. These will support the cradles and also carry scaffold to the outside beam. Attach the loops of the cable to the end of the i-beams using the bolt on the inside of the I-Beam clamp housing. Make sure the cable is inside the housing and not outside.
7. Winding the lift takes two people. Each person should hold one cable firmly pulling down against the winder. Then the person closest to the drive unit starts it, the winder will begin to turn. Be sure the large gear is turning counterclockwise (facing the drive unit) if it is not, allow the motor to stop, and have your electrician reverse the switch. It is very difficult to get a perfect wrap on the first revolution of the winder, but by the third, the cable should be following the grooves on the winder. Remember it is necessary to maintain tension on the cables until they have wound up sufficiently to lift the end of the cradle. This will apply tension and keep the cables from unspooling. After performing this operation on one beam repeat on the second.
8. The installations of the bunk boards are next, please refer to the diagram depending if you are installing wood bunk boards or aluminum bunks.

9. After the boat has been loaded it is important to check the tension on the four cables. This is done by squeezing the cable horizontally with your hand with the boat on the lift. There should be what feels like equal tension on all the cables. If this is not the case lower the boat and move forward or back about one foot, and raise it again. Check the tension again. Repeat this operation until it feels right. In many cases of boats with large engines it will not be possible to get the cable tension exactly the same. Get it as close as possible.
10. Measure beam of boat and install guides accordingly. Now, load the boat on the lift. After the boat has been loaded, check the tension on the cables.
11. Maintaining the Lift:
  - A. The four grease fittings on the power units should be greased three times a year (minimum)
  - B. Cables should be inspected for any chaffing or fraying and the cable company recommends that your cables should be changed every 2 years upon inspection.
  - C. After using the lift, always rinse it off with fresh water.
  - D. There are four grease zerts on the top of each top beam located on each bearing. These bearings should be greased three times a year (minimum)

**CHECK THE RATING OF YOUR LIFT!** This can be found on the rating labels on the lift. If the rating is un-readable, contact Boat Hoist USA with one of the four serial numbers on this sticker. Your lift has been designed to lift a maximum of this rating. This includes the weight of the boat, motor, fuel/water, and any gear stored on the boat.

This lift is not designed to lift humans. **ONLY** allow passengers to board and leave while the lift is in the down position and the boat is in contact with the water.

**NEVER** leave the lift unattended while it is in operation. Lifting above the recommended height could strain or cause the cables to break

**NEVER** operate the lift motor switches when any part of your body is in direct contact with the water.

**ALWAYS** disconnect the power source when leaving the boat in the stored position.

**ALWAYS** disconnect the power source when swimmers are in the vicinity of the lift. Instruct swimmers NOT to play under or close to the lift.

# Operation and Maintenance Instructions

The lift motor switches function in three positions: levers up to raise the lift, levers down to lower the lift and levers in the middle to stop the lift.

When changing direction of the lift motor switches, always return the switch to the off (level) position until the motor has stopped moving. Failure to do so could result in the motor traveling in the same direction and fouling/breaking the cables.

## **Lowering the boat**

- While standing on the dock, turn the lift motors on (levers to down position), and lower the cradle to a position where the cradle and boat have made contact with the water.
- Turn the lift off—(to off position)
- At this point your boat should NOT be floating, but is being held along the dock and resting solidly in the cradle.
- Prepare the boat for departing (cover removal, lowering the out drive/motor. Boarding and seating of guests)

## **Departing**

When completely ready to depart, the operator can again turn the lift motors on while in the boat, allowing the cradle to lower until the boat floats freely. Turn the lift motors off.

**Avoid allowing the lift to come in contact with the bottoms as this will foul the lifting cables.**

## **Returning**

- Drive slowly to the dock and maneuver the boat to a position above the lifting cradle, make sure the boat is positioned properly both fore and aft and side to side.
- Turn the lift motors on allowing the lifting cradle to come in contact with the bottom and stabilize the boat.
- Turn the lift motors off
- Prepare the boat for storage (allow passengers to disembark, remove gear from the boat, etc.)
- The lift operator should also exit the boat at this point.

## **Storing**

- When the boat is completely ready for storing, first make sure the boat is positioned properly on the lift.
- From the dock, turn the lift motors on (levers to the up position) and raise the boat to the proper storage position
- Turn the lift motors off
- Turn the electrical power to the lift off

Any Questions?  
Contact Boat Hoist USA  
800 259-8715



## Lift Maintenance

Approximately every six months, the bearings and pulleys should be greased with marine grade grease.

Visually inspect the lifting cables regularly for any broken strands (cable fray) If cable fray is noticed, notify your dealer. Spray cables with lubricant periodically.

Visually inspect all working parts for signs of excessive wear.

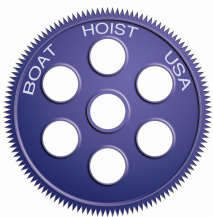
Spray all motor parts with a corrosion preventative lubricant at least twice a year.

Adjustments by personnel other than an authorized dealer will void the warranty and may result in serious damage and/or personal injury.

To keep your Boat Hoist USA lift operating at peak performance, minimizing service calls, we recommend that you operate your lift occasionally during the off-season or extended periods of no boating activity. Simply run the lift for approximately one minute in each direction. This will keep the motor contacts and brushes clean and all pulleys and bearings evenly lubricated.

### Rinsing

Whenever possible, raise your lift out of the water. Leaving the lift submerged for prolonged periods of time accelerates deterioration caused by salt-corrosion and electrolysis. Rinsing your lift regularly with fresh water will keep the lift looking new for years, and keep the lift functioning like new also.



**BOAT HOIST**  
**USA** 

Refer to the equipment guide supplied with the motor and gear plate for operating and maintenances of the hoists.

Any Questions?  
Contact Boat Hoist USA  
800 259-8715

# Limited Warranty

Boat Hoist USA hereafter referred to as the "company", expressly warrants structural integrity of its boatlifts for a period of ten years from the date of delivery to the original purchaser. Covered in the aforementioned warranty are: top beams, cradle beams and aluminum bunks if supplied.

Items such as belts, pulleys, switches, GFCI, bunk pads, guide post bumpers are only covered for 30 days.

Cable is guaranteed at time of purchase and not warrantable.

The purchaser remedy is limited to repair and replacement of the defective part and in no event shall the purchaser be entitled to any incidental or consequential damages. Any implied warranties shall be limited to the duration of this limited warranty. The manufacturer's address for the receipt of this notice is:

**Boat Hoist USA  
P.O. Box 2883  
Longview TX 75606**

The remaining components will be free from defects in material and workmanship for a period of one year from the date of delivery to the original purchaser. The Company agrees to provide the necessary parts during the warranty period described above. Provided the Company receives notice of any such defects with the applicable specified warranty period. These warranties shall be deemed void and unenforceable, and the equipment shall be deemed sold "AS IS" and "WITH ALL FAULTS", with the entire risk as to quality and performance to be borne by the original purchaser without and implied warranties or fitness or merchantability if any of the following should occur:

- If the equipment should be installed at any location other than the original purchaser's address specified in the sales agreement;
- If the equipment shall be used in any commercial fashion or in any way other than what it was designed for;
- If the original purchaser or anyone not authorized by Boat Hoist USA makes repairs to or alters in any way the original equipment;
- If the equipment has not been properly maintained or has been abused in any way.

These warranties further do not cover any damages whatsoever including incidental and/or consequential damages. This warrantee also includes any damage or injury resulting from the purchaser or any other person standing in or on any boat, platform or such other items, which are attached to the product or parts thereof.

Other than set forth above, the Company makes no express or implies warranty (including implied warranties of merchantability and fitness) relating to the product.

**For a complete list of terms and conditions visit [www.bh-usa.com](http://www.bh-usa.com)**

**Cut here and mail within 10 days of lift installation**

**FIRST NAME** \_\_\_\_\_ **LAST NAME** \_\_\_\_\_

**Street Address** \_\_\_\_\_ **CITY STATE ZIP** \_\_\_\_\_

**WORK PHONE** \_\_\_\_\_ **HOME PHONE** \_\_\_\_\_

**INSTALLED BY** \_\_\_\_\_ **PHONE** \_\_\_\_\_

**LIFT MODEL** \_\_\_\_\_ **DATE INSTALLED** \_\_\_\_\_

**I have read the information and understand the use of my lift and any precautions to be taken**

**Signature** \_\_\_\_\_ **Date** \_\_\_\_\_